

ELKA BARRIER SYSTEMS

Series SOLAR



Barriers for entrances without mains connection

ELKA solar barriers are available in two versions. Mobile - for temporary use at construction sites or event locations. Stationary - for long-term use at car parks or entrances without mains connection. Perfect running performance, achieved by electronic speed control and optimized mechanics, protect motor and gear. An efficient drive concept with a powerful 24V BLDC-motor and robust components ensure a long life cycle. With little solar radiation, the battery charge is sufficient for approx. 7 days with 500 cycles per day.



Shortening of the barrier boom to the required length is free of charge



Optionally available in all RAL custom colours

Operation of legal and standard-compliant barriers

ELKA barriers of the SOLAR series fulfill the requirements of the European Union. There is a declaration of conformity according to the machine directive and a declaration of performance according to the Construction Products Regulation.

ELKA creates the prerequisite that operators and commissioning engineers are always on the safe side when it comes to questions of liability.

Technology in detail

- **Housing hood**
simple removal,
without tools

- **Robust mechanics**
for intensive operation with
100% duty cycle, with vandalism
protection

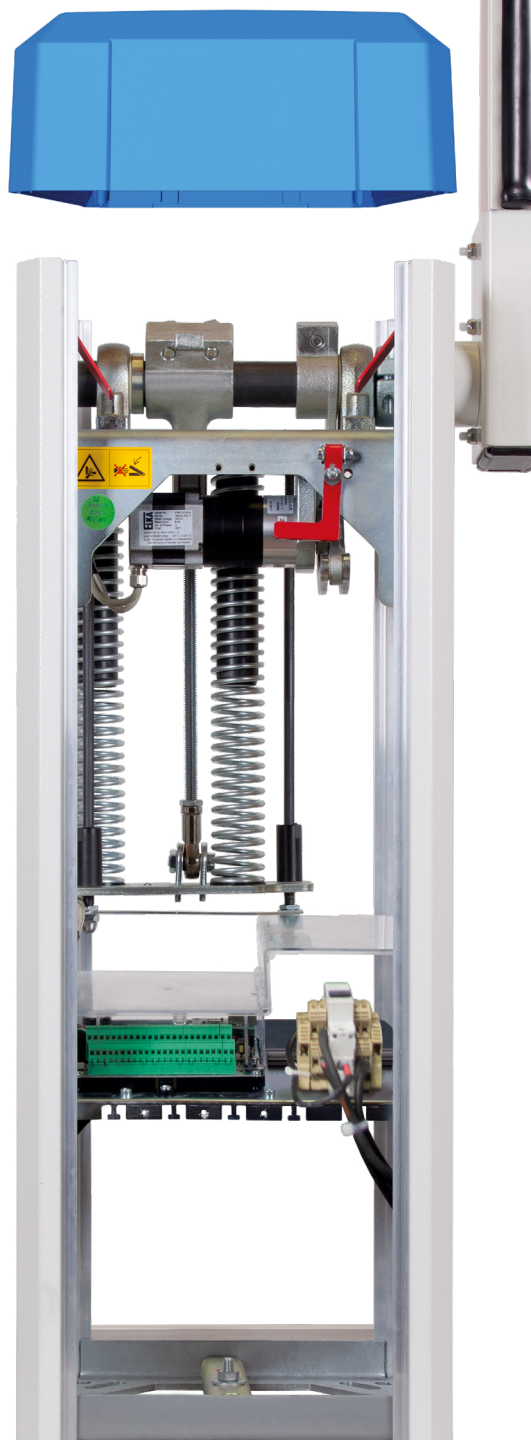
- **Cable bushing**
comfortable - plenty of room

- **24V BLDC motor / gear**
multistage planetary gear,
powerful and energy-saving

- **Controller**
electronic speed control

- **Top-hat rail**
space for additional installations

- **Spring assembly**
for balanced barrier
movements



- **Barrier boom made of aluminium**
left / right usable, pre-assembled

- **Operation without sunshine**
approx. 7 days with 500 cycles per day

- **Emergency release**
fast and simple

- **Ecological**
autonomous use without connection
to the power supply

- **Terminal row**
professional connection of
accessories

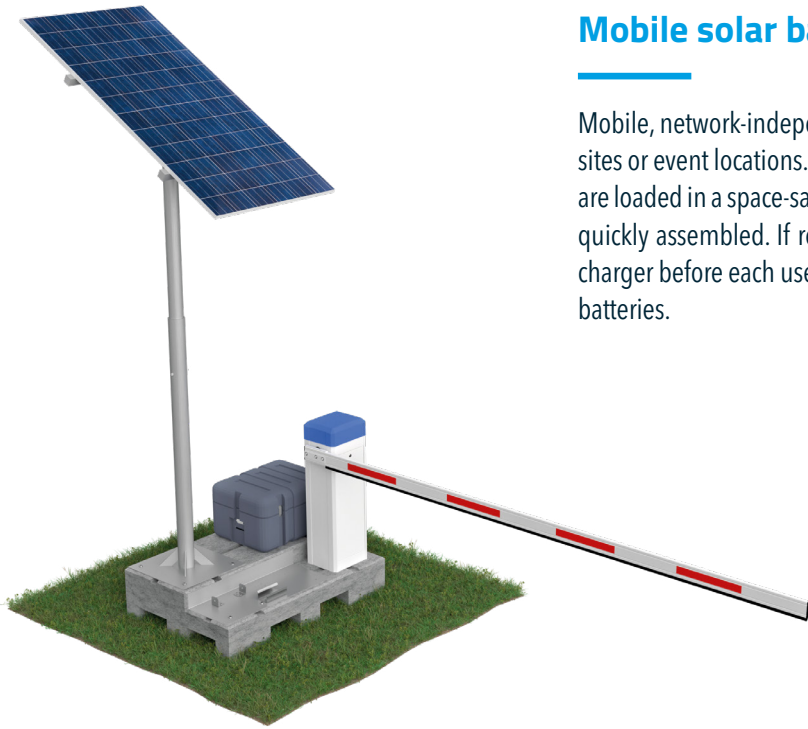
- **Independent power supply**
operation via solar module
and batteries

- **Barrier housing**
made of aluminium, powder-coated,
IP 54, with patent pending clamping
technology

Variants

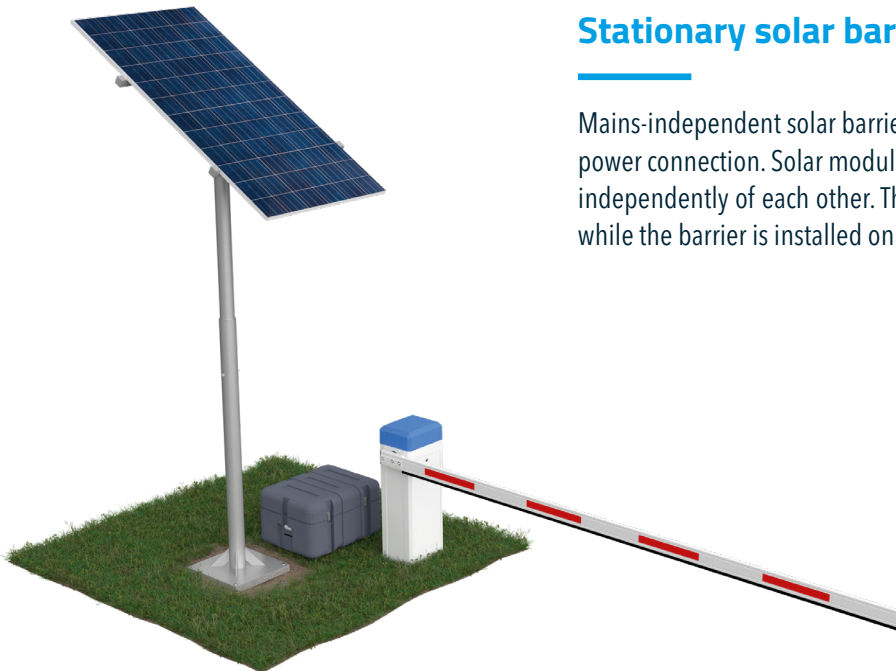
Mobile solar barrier

Mobile, network-independent solar barrier for temporary access control at construction sites or event locations. The barrier is prepared ready for use ex factory - all components are loaded in a space-saving way on a mobile concrete foundation and can be easily and quickly assembled. If required, the batteries can be recharged via an optional battery charger before each use. On-site the barrier operates via solar module and long-lasting batteries.



Stationary solar barrier

Mains-independent solar barrier for car parks or access roads without existing mains power connection. Solar module, outdoor battery box and solar barrier can be placed independently of each other. Thus, the solar module can be set up at a sunny place, while the barrier is installed on the shady driveway.





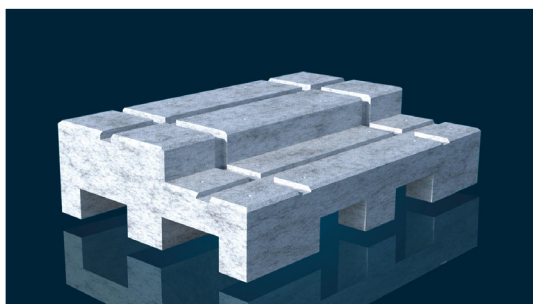
Solar module and solar charge controller

- ✓ 72 solar cells
- ✓ Output 200Wp, nominal voltage 24V
- ✓ With depth discharge protection
- ✓ Stand made of galvanized steel



Outdoor battery box

- ✓ Lockable
- ✓ With 2 batteries (each 165Ah, 12V)
- ✓ Dimensions (w/d/h) 580 x 480 x 390 mm
- ✓ Professional ventilation



Mobile concrete foundation

- ✓ In Euro-pallet dimensions (w/d) 1,200 x 800mm
- ✓ Made of high-quality concrete (used for bridge parapets)



Charger 230V AC (optional)

- ✓ Efficiency of 94%
- ✓ Charging current max. 8A
- ✓ Nominal voltage 24V DC
- ✓ Adaptive 6-stage charging algorithm

ELKA ECON APP



App for programming and controlling of ELKA barriers

Programming, operation and control of ELKA barriers with controller MO 24 and MO 64 „Plus“ - comfortable via mobile phone, tablet or PC. Only usable in combination with the ELKA ECON BOX.

Quick set-up

Simple project management, barrier configurations can be set and saved, backup of all settings

Professional maintenance

Analysing of the induction loops, error memory, service- and diagnostic report, diagnosis of all inputs and outputs of the controller

Comfortable

Notification and control of events in case of a status change, user management, 365-day-timer, differential counter

Access control devices



Radio remote control

1-, 2- or 4-channel,
434MHz or 868MHz,
codable, very good range



Desktop panels

Single, double, triple or quadruple
keyboard, with illuminated keys,
OPEN / CLOSE / STOP / ON-OFF



Switches

Flush or surface mounting, key switches
including key, code switches with foil keypad
or stainless steel keypad

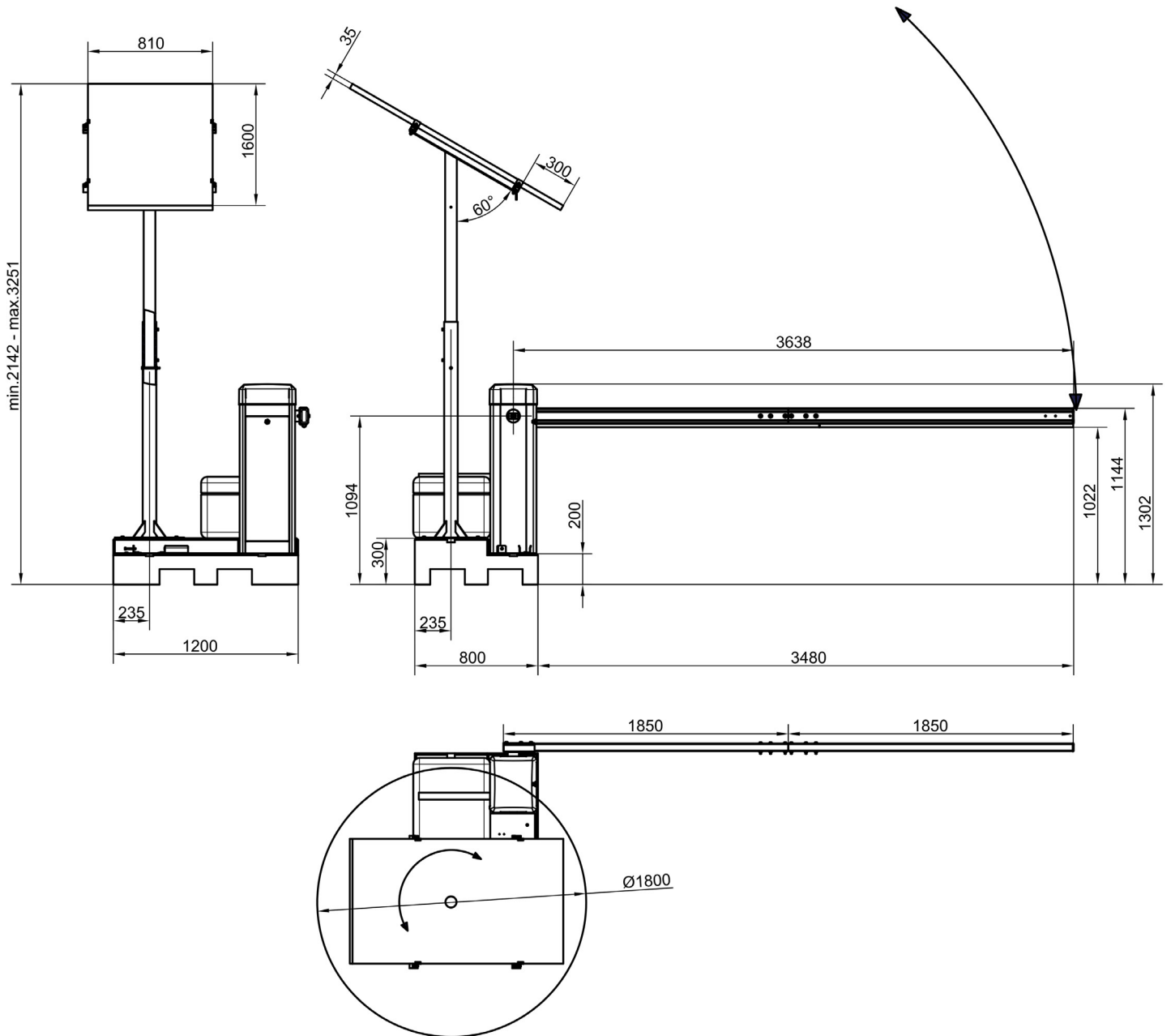
[You can find further access controls here.](#)

Technical data

Type	P 3700S Mobile	P 3700S Stationary
Housing dimensions (w/d/h) (mm)	360 x 300 x 1,100	
Boom length (mm)	3,700	
Effective boom length approx. (mm)	3,480	
Running time approx. (s)	3.8 / 4.5 / 5.5	
Solar module (w/d/h) (mm)	1,580 x 35 x 808	
Solar module incl. stand (w/d/h) (mm)	450 x 450 x 1,840 - 2,960	
Outdoor battery box (w/d/h) (mm)	580 x 480 x 390	
Concrete foundation (w/d/h) (mm)	1,200 x 300 x 800	-
Duty cycle	100% (according to battery capacity)	
Temperature range	-15°C up to +40°C	
Degree of protection	IP54	
Supply voltage	180 - 265V, 45Hz - 65Hz (for optional available charger)	
Nominal voltage solar module	24V DC	
Nominal power solar module	200Wp	
Nominal capacity batteries	165Ah / 12V each	
Weight without boom approx. (kg)	70	
Boom weight approx. (kg)	9	
Solar module incl. stand weight approx. (kg)	61	
Outdoor battery box weight (incl. batteries) approx. (kg)	100	
Concrete foundation weight approx. (kg)	400	-

* With little solar radiation, the battery charge is sufficient for approx. 7 days with 500 cycles per day.

Technical drawing



Equipment

Standard equipment	P 3700S Mobile	P 3700S Stationary
Standard colours	Housing white / RAL 9010, housing hood blue / RAL 5012	
Boom connector	left / right usable	
Boom dimensions h/w (mm)	100 x 50	
Controller	MO 24S with 4x7-segment-display	
Power reversal	connectable	
Terminal row	prewired	
1-channel loop detector	3 integrated	
Multifunctional relay	6 integrated (e.g. for traffic lights, boom lighting LED, etc.)	
Electronic speed control	yes	
Dead man's mode	yes	
Antenna connection	yes	

Special equipment	P 3700S Mobile	P 3700S Stationary
Round barrier boom	optional, \varnothing 60mm	
Fixed and swinging support	no	optional
Boom lighting*	mounted on the boom (not for round boom)	
Contact „boom missing“	optional	
Custom colours	optionally available in all RAL custom colours (extra charge)	
Photoelectric barrier*	optional	
Laser scanner*	optional, free-standing installation or mounting on the barrier housing	
Radio remote control receiver*	optional (socket available)	
TCP-IP-module*	optional (socket available)	
Multifunctional relay*	optional module with: 4 additional multifunctional relays (AMR4) / 8 additional multifunctional relays (AMR8)	
Access control*	Key switch, code switch, etc.	

* Additional consumers reduce the number of cycles and the standby time according to the amount of sunlight.

ELKA TORANTRIEBE

Partner with competence



ELKA is a German manufacturer of gate openers and barrier systems of high quality with an experience of more than 40 years. We place a great value on high quality components, easy installation and customerfriendly service. Our products are developed and assembled in Germany and are subject to strict quality controls.

„Partner with competence“ - the management as well as the employees feel committed to this philosophy. We supply products to over 80 countries worldwide and support our customers in three languages. Technically trained specialists and engineers respond to individual customer requirements. Fast order processing, short delivery times and adherence to deadlines are a matter of course for us.

You can find more information on our website: www.elka.eu

✓ **Competent customer service**

✓ **Quality „Made in Germany“**

✓ **Prompt handling and reliability**

Inhouse-Seminars

Gate openers- and barrier seminar with expert certificate. According to legal regulations, power-operated gate and barrier systems must be checked at least once a year. Only experts with a valid certificate are authorized to carry out the inspection and documentation. ELKA supports its partners in this and offers further training in its own premises in Tönning, Germany.

The ELKA team is looking forward to your questions and registrations: akademie@elka.eu



ELKA-Torantriebe GmbH u. Co. Betriebs KG
Dithmarscher Str. 9, 25832 Tönning / Germany

✉ info@elka.eu

🌐 www.elka.eu

☎ **+49 (0) 4861-9690-0**

📠 **+49 (0) 4861-9690-90**